

- 1
- 2
- 3
- 4
- 5
- 6
- 7
- 8
- 9
- 10
- 11
- 12
- 13
- 14
- 15
- 16
- 17
- 18

TYPES

- Type **A**: with thread, mounting from above
- Type **UA**: with groove, mounting from above
- Type **UB**: with groove, mounting from the front

Aluminium **AM**
matte ground

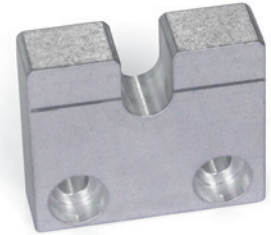
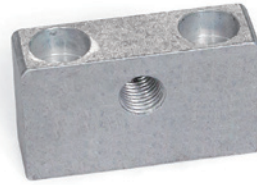
Reference line
laser-engraved, black colour

FEATURES AND APPLICATIONS

GN 828 bearing blocks are used in combination with the stainless steel adjusting screws GN 827 (see page -) for simple adjustment and positioning tasks.

For machining and assembly equipment where attachments and mechanisms need to be changed regularly, particularly simple adjustments can be achieved by combining the adjusting screws GN 827 (see page -) knurled nuts GN 827.1 (see page -) and bearing blocks GN 828 (see page -) of the types UA and UB to ensure that settings are retained even between uses.

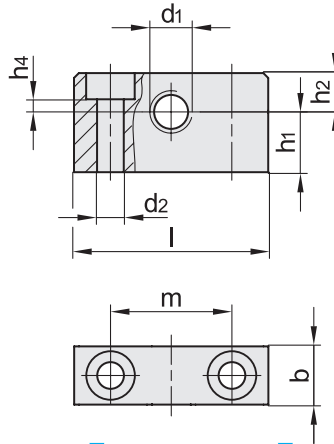
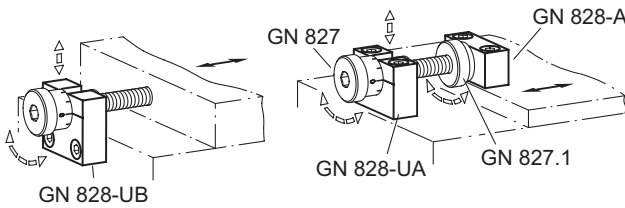
On the opposing part, type A or threading already present in the mounting plate can be used.



ACCESSORIES

- Stainless Steel-Adjusting screws GN 827 (see page -)
- Stainless Steel-Knurled nuts GN 827.1 (see page -)

Application examples



Conversion Table
1 mm = 0.039 inch

| b | |
|----|------|
| mm | inch |
| 10 | 0.39 |
| 12 | 0.47 |
| 15 | 0.59 |

Conversion Table
1 mm = 0.039 inch

| h1 | |
|----|------|
| mm | inch |
| 5 | 0.20 |
| 8 | 0.31 |
| 10 | 0.39 |
| 15 | 0.59 |
| 20 | 0.78 |
| 30 | 1.17 |

GN 828-A

| Code | Description | d1 | d2 | b h1 | l | h1 | h2 | h4 | m | ⚖ |
|----------|----------------------|-------|-----|------|----|----|----|-----|----|----|
| GN.82151 | GN 828-M6X1-A-5-AM | M6x1 | 4.5 | 10 | 35 | 5 | 6 | 1.6 | 22 | 8 |
| GN.82152 | GN 828-M6X1-A-10-AM | M6x1 | 4.5 | 10 | 35 | 10 | 6 | 1.6 | 22 | 12 |
| GN.82153 | GN 828-M6X1-A-20-AM | M6x1 | 4.5 | 10 | 35 | 20 | 6 | 1.6 | 22 | 21 |
| GN.82156 | GN 828-M8X1-A-8-AM | M8x1 | 5.5 | 12 | 40 | 8 | 8 | 2.6 | 25 | 16 |
| GN.82157 | GN 828-M8X1-A-15-AM | M8x1 | 5.5 | 12 | 40 | 15 | 8 | 2.6 | 25 | 24 |
| GN.82158 | GN 828-M8X1-A-20-AM | M8x1 | 5.5 | 12 | 40 | 20 | 8 | 2.6 | 25 | 30 |
| GN.82161 | GN 828-M10X1-A-10-AM | M10x1 | 6.5 | 15 | 45 | 10 | 10 | 3.6 | 30 | 28 |
| GN.82162 | GN 828-M10X1-A-20-AM | M10x1 | 6.5 | 15 | 45 | 20 | 10 | 3.6 | 30 | 44 |
| GN.82163 | GN 828-M10X1-A-30-AM | M10x1 | 6.5 | 15 | 45 | 30 | 10 | 3.6 | 30 | 60 |

METRIC

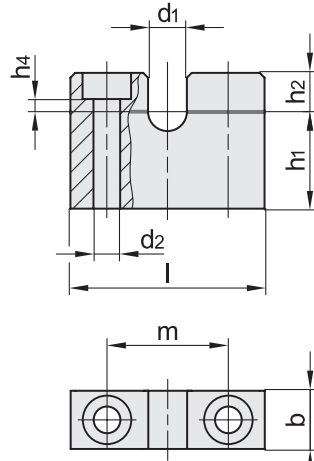
Control elements

Conversion Table
1 mm = 0.039 inch

| b | |
|----|------|
| mm | inch |
| 10 | 0.39 |
| 12 | 0.47 |
| 15 | 0.59 |

Conversion Table
1 mm = 0.039 inch

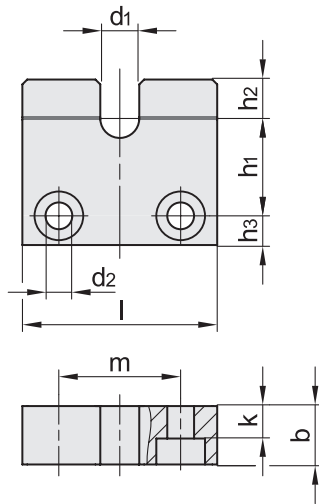
| h1 | |
|----|------|
| mm | inch |
| 10 | 0.39 |
| 12 | 0.47 |
| 15 | 0.59 |
| 20 | 0.78 |
| 25 | 0.98 |
| 30 | 1.17 |
| 35 | 1.37 |



GN 828-UA

METRIC

| Code | Description | d1 +0.6 +0.4 | d2 | b h11 | l | h1 | h2 | h4 | m | ⚖ |
|----------|--------------------|--------------|-----|-------|----|----|----|-----|----|----|
| GN.82051 | GN 828-6-UA-10-AM | 6 | 4.5 | 10 | 35 | 10 | 6 | 1.6 | 22 | 13 |
| GN.82053 | GN 828-6-UA-15-AM | 6 | 4.5 | 10 | 35 | 15 | 6 | 1.6 | 22 | 17 |
| GN.82055 | GN 828-6-UA-25-AM | 6 | 4.5 | 10 | 35 | 25 | 6 | 1.6 | 22 | 26 |
| GN.82071 | GN 828-8-UA-12-AM | 8 | 5.5 | 12 | 40 | 12 | 8 | 2.6 | 25 | 20 |
| GN.82073 | GN 828-8-UA-20-AM | 8 | 5.5 | 12 | 40 | 20 | 8 | 2.6 | 25 | 29 |
| GN.82075 | GN 828-8-UA-30-AM | 8 | 5.5 | 12 | 40 | 30 | 8 | 2.6 | 25 | 41 |
| GN.82091 | GN 828-10-UA-15-AM | 10 | 6.5 | 15 | 45 | 15 | 10 | 3.6 | 30 | 34 |
| GN.82093 | GN 828-10-UA-20-AM | 10 | 6.5 | 15 | 45 | 20 | 10 | 3.6 | 30 | 42 |
| GN.82095 | GN 828-10-UA-30-AM | 10 | 6.5 | 15 | 45 | 30 | 10 | 3.6 | 30 | 59 |



GN 828-UB

METRIC

| Code | Description | d1 +0.6 +0.4 | d2 | b h11 | k | l | h1 | h2 | h3 | m | ⚖ |
|----------|--------------------|--------------|-----|-------|-----|----|----|----|-----|----|----|
| GN.82057 | GN 828-6-UB-10-AM | 6 | 4.5 | 10 | 5.6 | 35 | 10 | 6 | 5 | 22 | 18 |
| GN.82059 | GN 828-6-UB-15-AM | 6 | 4.5 | 10 | 5.6 | 35 | 15 | 6 | 5 | 22 | 23 |
| GN.82061 | GN 828-6-UB-20-AM | 6 | 4.5 | 10 | 5.6 | 35 | 20 | 6 | 5 | 22 | 28 |
| GN.82077 | GN 828-8-UB-15-AM | 8 | 5.5 | 12 | 6.6 | 40 | 15 | 8 | 6 | 25 | 33 |
| GN.82079 | GN 828-8-UB-20-AM | 8 | 5.5 | 12 | 6.6 | 40 | 20 | 8 | 6 | 25 | 39 |
| GN.82081 | GN 828-8-UB-30-AM | 8 | 5.5 | 12 | 6.6 | 40 | 30 | 8 | 6 | 25 | 52 |
| GN.82097 | GN 828-10-UB-20-AM | 10 | 6.5 | 15 | 8.6 | 45 | 20 | 10 | 7.5 | 30 | 59 |
| GN.82099 | GN 828-10-UB-25-AM | 10 | 6.5 | 15 | 8.6 | 45 | 25 | 10 | 7.5 | 30 | 68 |
| GN.82101 | GN 828-10-UB-35-AM | 10 | 6.5 | 15 | 8.6 | 45 | 35 | 10 | 7.5 | 30 | 86 |

